

EMC shield clamps on cable lugs

with or without integrated cable fixing function



EMC shield clamps are used, where the shield of cables must be connected to the earth potential. They are easy to use and effective in earthing single cable shields. The shield clamps are mounted on ring cable lugs which can be crimped on PE conductors.

The RCLZ-M shield clamps allow a secure fixing of the cable with cable ties.

The size of the ring cable lug diameter is shown by differing colours:

- Red: 0.5 - 1.5 mm²
- Blue: 1.0 - 2.5 mm²
- Yellow: 4 - 6 mm²



RoHS
compliant



Made in
Germany

Specifications

Material	Shield clamp: Spring steel, zinc plated Mounting foot: Polycarbonate
Operating temperature	-30 C° to 120 C°
Properties	vibration proof
Mounting options	Clamping

Advantages & benefits

- Large contact area
- The spring design requires no adjustments and will permanently maintain contact to the cable shield
- Shock and vibration resistant, maintenance free
- UL listed

Product types & sizes

RCL 0.5-1.5mm²|SKL 1.5-3



Part No.	36296.1	Length	20 mm
EAN	4251269319	Width	11,8 mm
	655	Height	17,8 mm
Package quantity	25		
No. of shield clamps	1		
For max. no. of cables	1		
Min. shield diam.	1,5 mm		
Max. shield diam.	3 mm		



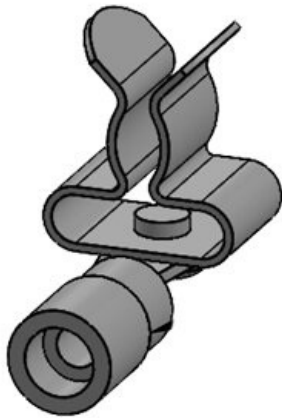
Part No.	36296.2	Length	20 mm
EAN	4251269319	Width	14,9 mm
	662	Height	25,4 mm
Package quantity	25		
No. of shield clamps	1		
For max. no. of cables	1		
Min. shield diam.	3 mm		
Max. shield diam.	12 mm		



Part No.	36297.1	Length	21 mm
EAN	4251269319	Width	11,8 mm
	679	Height	18,2 mm
Package quantity	25		
No. of shield clamps	1		
For max. no. of cables	1		
Min. shield diam.	1,5 mm		
Max. shield diam.	3 mm		

RCL 1.0-2.5mm²|SKL 3-6

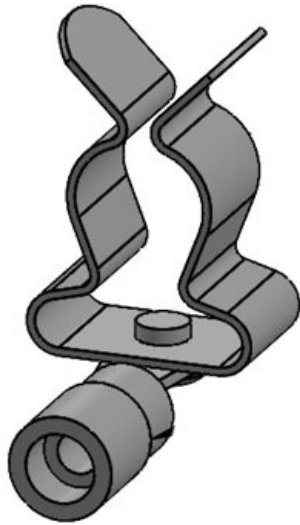
Part No.	36297.3	Length	21 mm
EAN	4251269324	Width	11,8 mm
	161	Height	19 mm
Package quantity	25		
No. of shield clamps	1		
For max. no. of cables	1		
Min. shield diam.	3 mm		
Max. shield diam.	6 mm		



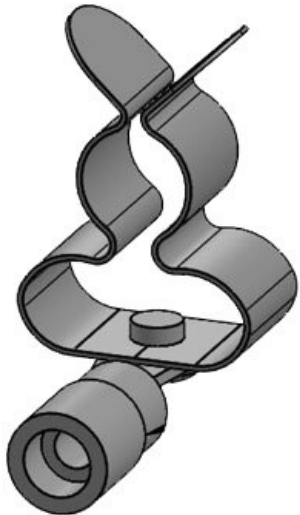
RCL 1.0-2.5mm²|SKL 6-8

Part No.	36297.4	Length	21 mm
EAN	4251269324	Width	11,8 mm
	178	Height	20 mm
Package quantity	25		
No. of shield clamps	1		
For max. no. of cables	1		
Min. shield diam.	6 mm		
Max. shield diam.	8 mm		





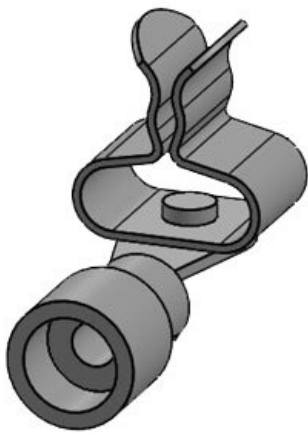
Part No.	36297.5	Length	21 mm
EAN	4251269324	Width	14 mm
	185	Height	25 mm
Package quantity	25		
No. of shield clamps	1		
For max. no. of cables	1		
Min. shield diam.	8 mm		
Max. shield diam.	11 mm		



Part No.	36297.2	Length	21 mm
EAN	4251269319	Width	14,9 mm
	686	Height	25,8 mm
Package quantity	25		
No. of shield clamps	1		
For max. no. of cables	1		
Min. shield diam.	3 mm		
Max. shield diam.	12 mm		

RCL 4-6mm²|SKL 1.5-3

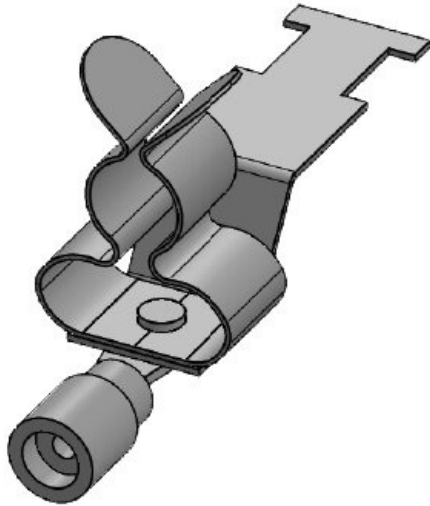
Part No.	36298.1	Length	24 mm
EAN	4251269319	Width	11,8 mm
	693	Height	19,1 mm
Package quantity	25		
No. of shield clamps	1		
For max. no. of cables	1		
Min. shield diam.	1,5 mm		
Max. shield diam.	3 mm		



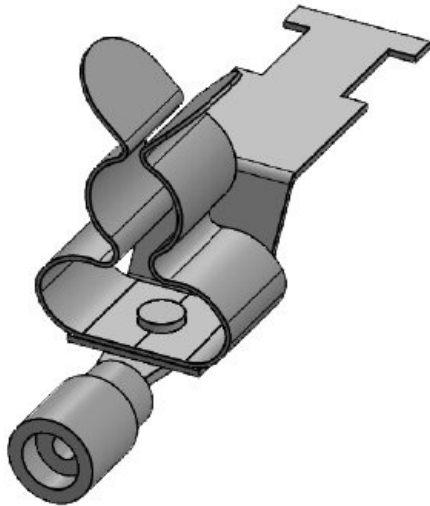
RCL 4-6mm²|MSKL 3-12

Part No.	36298.2	Length	24 mm
EAN	4251269319	Width	14,9 mm
	709	Height	26,7 mm
Package quantity	25		
No. of shield clamps	1		
For max. no. of cables	1		
Min. shield diam.	3 mm		
Max. shield diam.	12 mm		





Part No.	36301.2	Length	45,5 mm
EAN	4251269322	Width	15 mm
	327	Height	26 mm
Package quantity	25		
No. of shield clamps	1		
For max. no. of cables	1		
Min. shield diam.	3 mm		
Max. shield diam.	12 mm		



Part No.	36302.2	Length	46,5 mm
EAN	4251269322	Width	15 mm
	334	Height	26 mm
Package quantity	25		
No. of shield clamps	1		
For max. no. of cables	1		
Min. shield diam.	3 mm		
Max. shield diam.	12 mm		

Part No.	36303.2	Length	49,5 mm
EAN	4251269322	Width	15 mm
	341	Height	27 mm
Package quantity	25		
No. of shield clamps	1		
For max. no. of cables	1		
Min. shield diam.	3 mm		
Max. shield diam.	12 mm		

